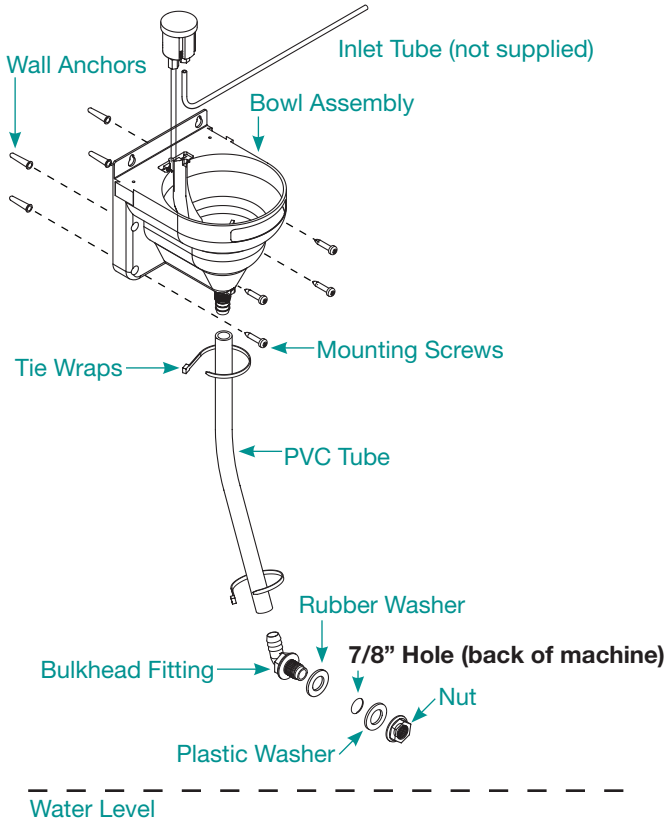


Meteor[™] Dish Machine Dispenser

Installation Reference: Wall Mount



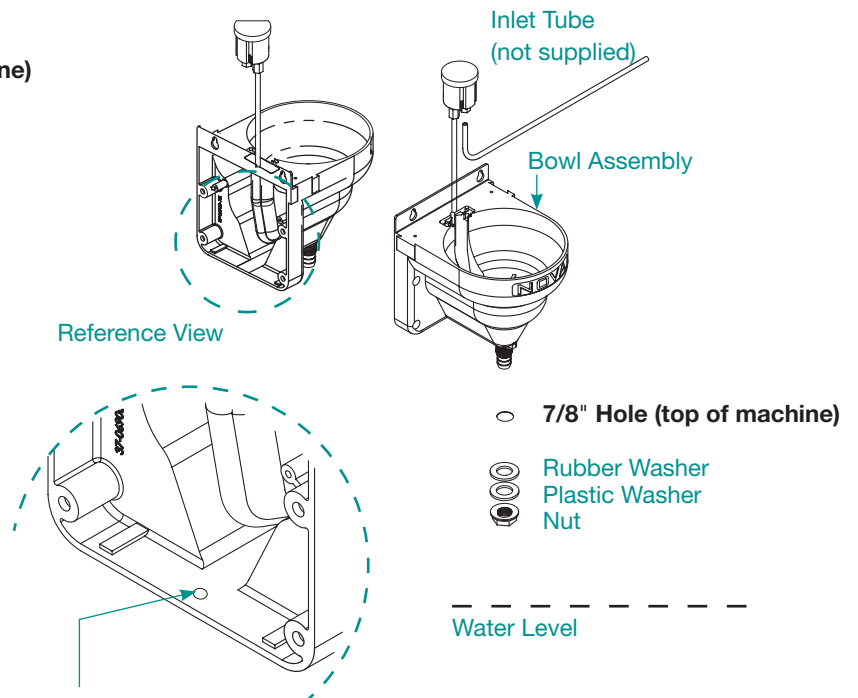
WARNING:

Do not exceed 140° water temperature.

ADVERTENCIA:

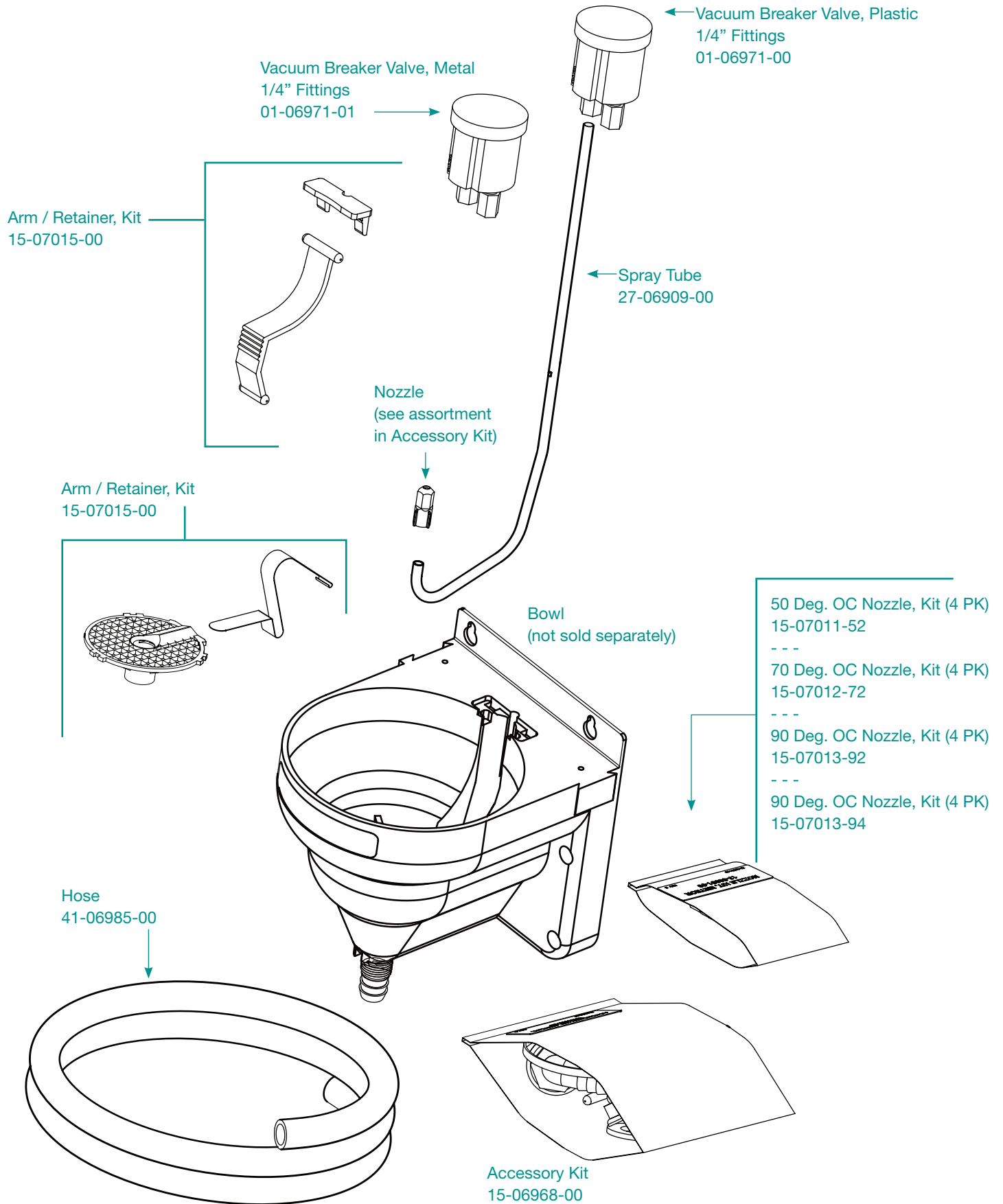
La temperatura del agua no debe sobrepasar 140°F / 60°C

Installation Reference: Top Mount

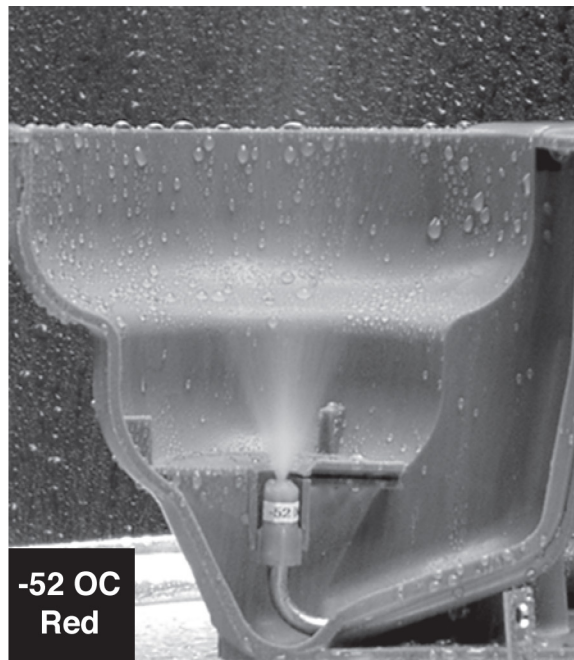
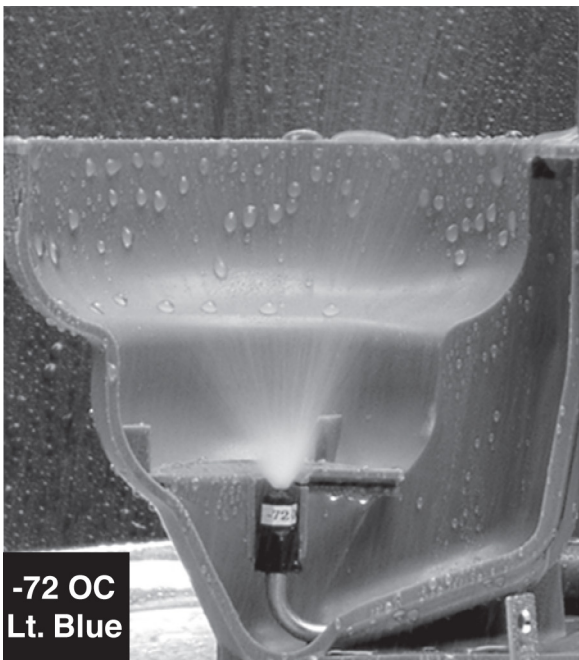
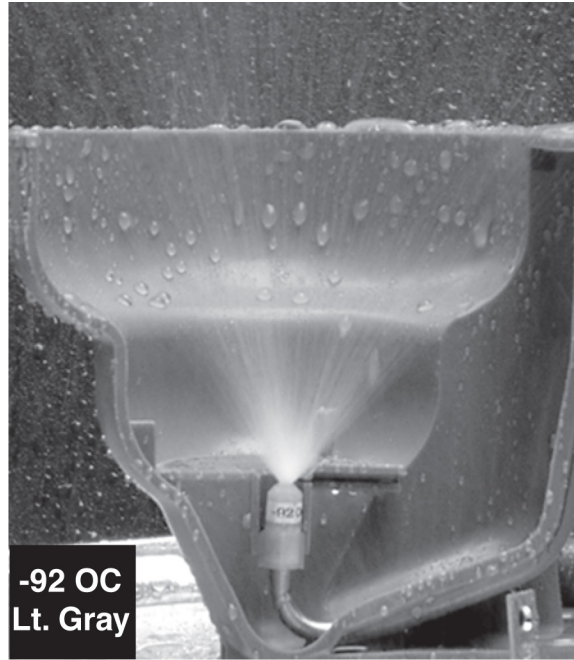
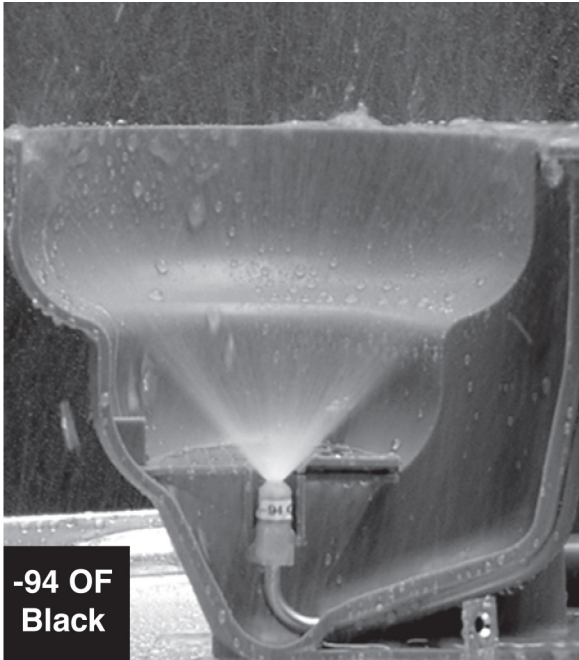


Note: To prevent rotation of the bowl, drill a hole in this location and secure with a stainless sheet metal screw.

Replacement Parts Listing



Nozzle Selection and Replacement



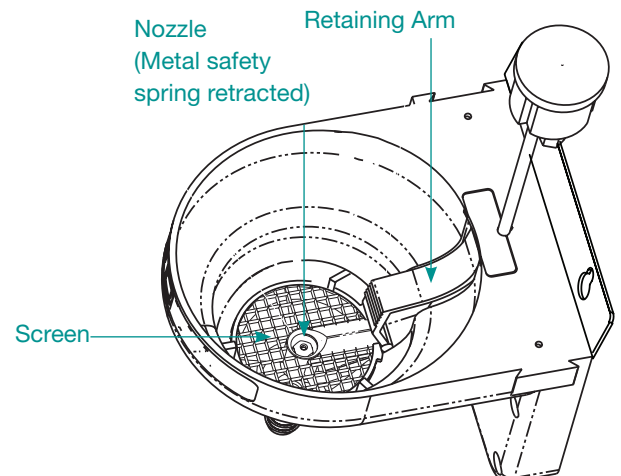
Suggested Nozzle Application Guide

- 94 OC (Black): Encapsulated powder (use screen cap)
- 92 OC (Lt. Gray): Encapsulated powder (use screen cap) or solid (use open mouth capsule), high feed rate
- 72 OC (Lt. Blue): Encapsulated solid (use open mouth capsule)
- 52 OC (Red): "Tall Bottle" solid (use open mouth)

Nozzle Replacement

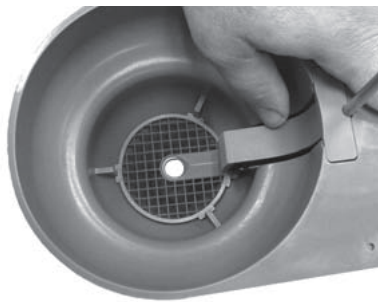
(Detailed Instructions on Page 4)

1. Turn off electrical power and water supply.
2. Depress retaining arm and remove screen.
3. Continue to depress retaining arm (or remove metal safety spring) to access nozzle.
4. With 3/8" socket driver or nut driver, remove and reinstall nozzles. Do not overtighten.
5. (If removed, replace safety spring) and snap screen firmly in place.

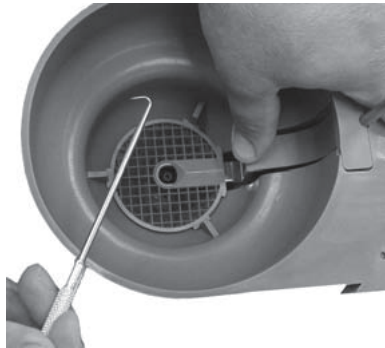


Nozzle Replacement

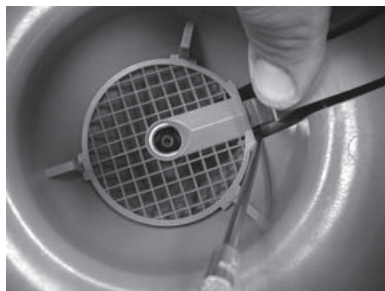
1. TURN OFF ELECTRICAL POWER AND WATER SUPPLY (while metal safety spring is still covering nozzle).



2. Depress retaining arm to retract metal safety spring. Use hook tool to detach and remove screen.



3. Insert hook tool near safety spring and begin lifting screen.



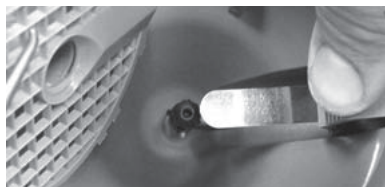
4. Continue lifting screen at each rib location until screen is no longer snapped under ribs.



5. Slide screen off of safety spring and set screen aside.



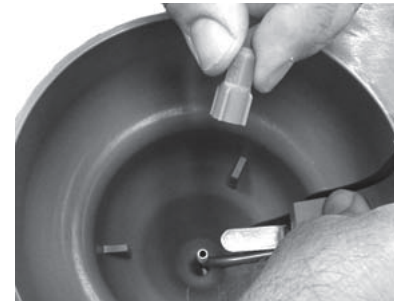
6. Continue to depress retaining arm to access nozzle (or remove metal safety spring).



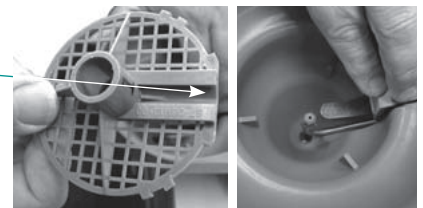
7. Use 3/8" socket driver (or nut driver) to remove old nozzle.



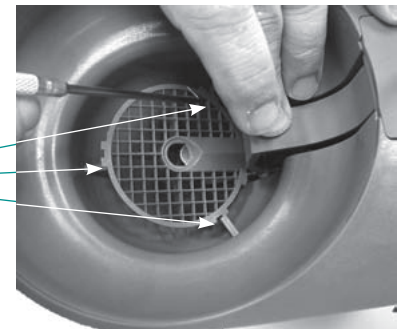
8. Lift out old nozzle and screw in new nozzle. Use 3/8" socket driver (or nut driver) to tighten new nozzle. Do not overtighten.



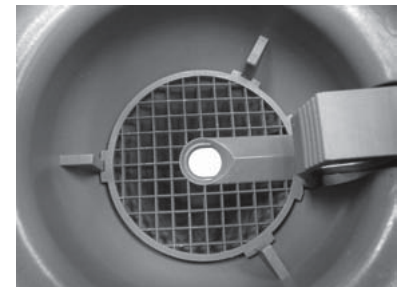
9. With new nozzle securely in place, locate slot on underside of screen. blank line (If metal safety spring was removed, replace it now.)



10. Using hook tool, slide screen onto the metal safety spring, then snap screen under ribs. blank line **IMPORTANT:** Secure screen under each rib by pressing firmly with fingers until screen snaps into place.



11. Release retaining arm. Metal safety spring slides back into place and covers new nozzle.



12. Restore electrical power & water supply